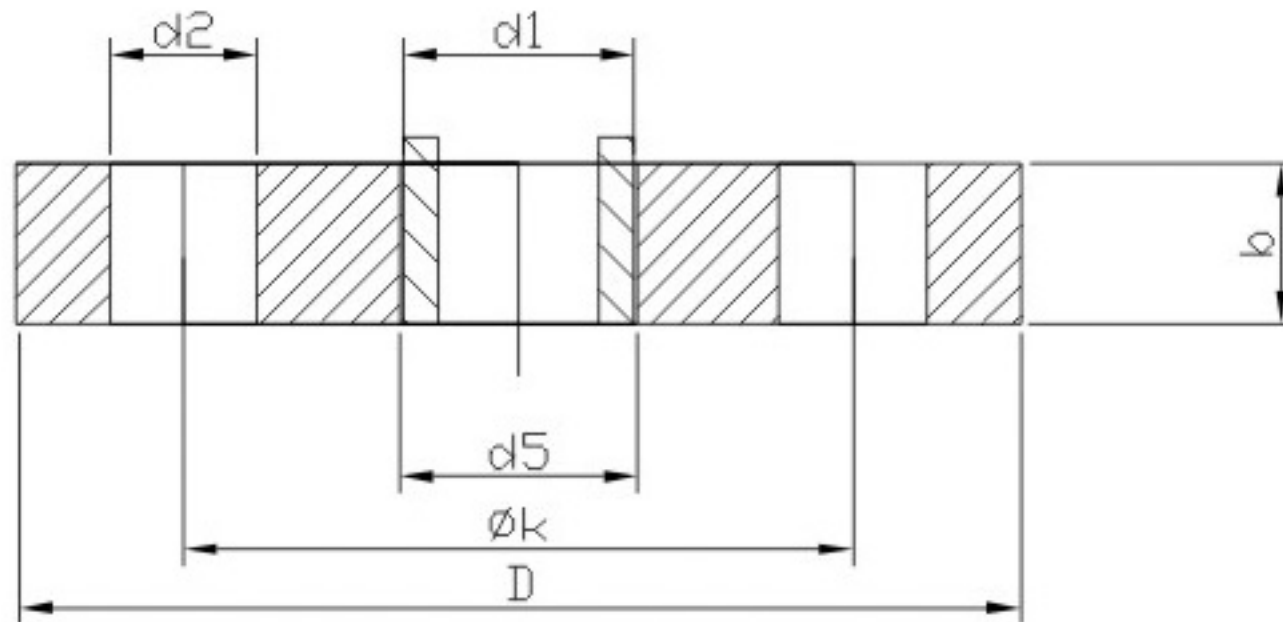


DIN 2576

Slip-on Flange 10 bar



Pipe Size			Flange Dimensions				Bolt Pattern			Weight
Nominal	d1 Std	d1 opt	d5	D	b	k	Holes	Bolt Dia	d2	lbs
10	-	14	14.5						14	1.35
	17.2	-	17.7							1.33
15	-	20	21	95	14	65			14	1.49
	21.3	-	22							1.47
20	-	25	26	105	16	75	4	M12	14	1.65
	26.9	-	27							2.06
25	-	30	31	115	16	85	4	M12	14	2.51
	33.7	-	34.4							2.45
32	-	38	39	140	16	100	4	M16	18	3.66
	42.4	-	43.1							3.57
40	-	45	45.5	150	16	110	4	M16	18	4.17
	48.3	-	49							4.10
50	-	57	58.1	165	18	125	4	M16	18	5.53
	60.3	-	61.1							5.45
65	76.1	-	77.1	185	18	145	4	M16	18	6.61
80	88.9	-	90.3	200	20	160	8	M16	18	8.36
100	-	108	109.6	220	20	180	8	M16	18	9.26
	114.3	-	115.9							8.88
125	-	133	134.8	250	22	210	8	M16	18	12.59
	139.7	-	141.6							12.04
150	-	159	161.1	285	22	240	8	M20	22	14.82
	168.3	-	170.5							14.48
175	193.7	-	196.1	315	24	270	8	M20	22	18.63
200	219.1	-	221.8	340	24	295	8	M20	22	20.53
250	-	267	270.2	395	26	350	12	M20	22	27.56
	273	-	276.2							26.24
300	323.9	-	327.6	445	26	400	12	M20	22	30.42
350	355.6	-	359.7	505	28	460	16	M20	22	45.42
	-	368	372.2							41.89
400	406.4	-	411	565	32	515	16	M24	26	61.51
	-	419	423.7							57.10
450	457	-	462.3	615	38	565	20	M24	26	78.48
500	508	-	513.6	670	38	620	20	M24	26	90.61