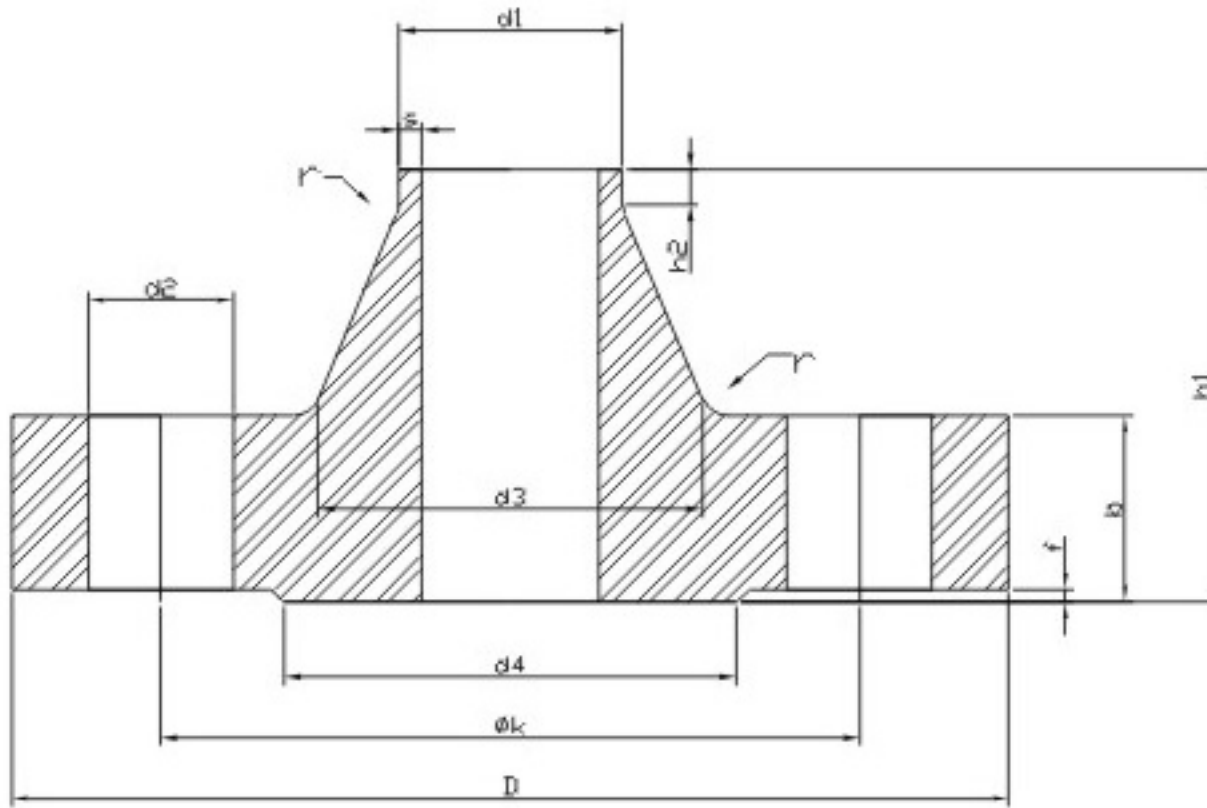


DIN 2628



Weldneck Flange PN250

Pipe Size			Flange Dimensions				Beginning Dimensions				Raised Face		Bolt Pattern			Weight
Nominal	d1 std	d1 opt	D	b	k	h1	d3	s	r	h2	d4	f	Holes	Bolt Size	d2	lbs
10	For this size please use DIN 2629 PN320															
15	-	20	130	26	90	60	48	26	4	6	45	2	4	M16	18	5.45
	21.3	-														
25	-	30	150	28	105	65	60	3.6	4	8	68	2	4	M20	22	7.74
	33.7	-														
40	-	44.5	185	34	135	80	84	5	6	10	88	3	4	M24	26	14.22
	48.3	-														
50	-	57	200	38	150	85	95	6.3	6	10	102	3	8	M24	26	17.31
	60.3	-														
65	76.1	-	230	42	180	95	124	8	6	12	122	3	8	M24	26	26.90
80	101.6	-	255	46	200	102	136	11	8	12	138	3	8	M27	30	35.27
100	127	-	300	54	235	120	164	14.2	8	14	162	3	8	M30	33	57.98
125	152.4	-	340	60	275	140	200	16	8	16	188	3	12	M30	33	83.33
150	177.8	-	390	68	320	160	240	17.5	10	18	218	3	12	M33	36	127.87
200	244.5	-	485	82	400	190	305	25	10	25	285	3	12	M39	42	231.49
250	298.5	-	585	100	490	215	385	32	12	30	345	3	16	M45	48	401.24