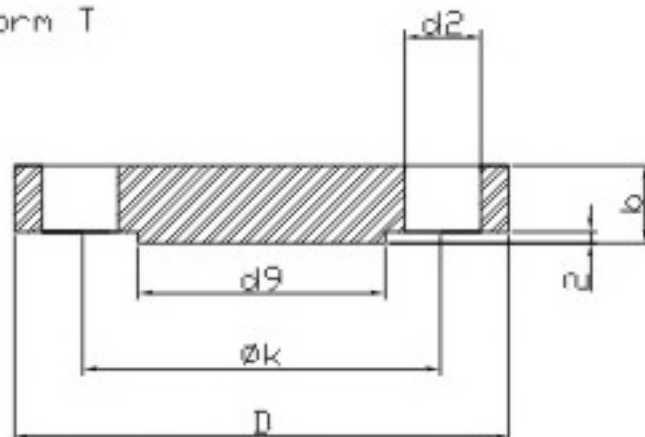
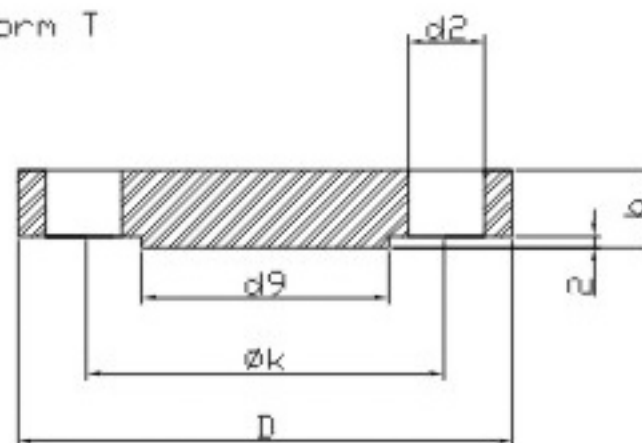


Form T



Form T



PN16

Pipe Size <i>Nominal</i>	Flange Dimensions			<i>d9 max.</i>	Bolt Pattern			Weight	
	<i>D</i>	<i>b</i>	<i>k</i>		<i>Holes</i>	<i>Bolt Dia.</i>	<i>d2</i>	<i>lbs form B</i>	<i>lbs form T</i>
10	90	14	60		4	M12	14	1.39	
15	95	14	65					1.59	
20	105	16	75					2.23	
25	115	16	85					2.71	
32	140	16	100					3.97	
40	150	16	110					4.61	
50	165	18	125	55	8	M16	18	6.35	8.16
65	185	18	145					8.07	
80	200	20	160					10.52	
100	220	20	180					12.46	
125	250	22	210					18.56	
150	285	22	240					22.93	
175	315	24	270	190	12	M20	22	30.86	31.53
200	340	24	295					35.49	
250	405	26	355					54.90	
300	460	28	410					77.38	
350	520	30	470					105.38	
400	580	32	525					139.99	
500	715	36	650	475	20	M24	26	108.25	143.96
400	580	32	525					380	
500	715	36	650	475	20	M30	33	224.87	231.49

PN25

Pipe Size <i>Nominal</i>	Flange Dimensions			<i>d9 max.</i>	Bolt Pattern			Weight	
	<i>D</i>	<i>b</i>	<i>k</i>		<i>Holes</i>	<i>Bolt Dia.</i>	<i>d2</i>	<i>lbs form B</i>	<i>lbs form T</i>
10-150	For Pipe sizes from 10mm - 150mm, Use spec sheet for PN40								
175	330	28	280	165	12	M24	26	38.14	38.80
200	360	30	310	190				49.16	50.04
250	425	32	370	237				73.85	75.40
300	485	34	430	285	16	M27	30	102.07	104.28
350	555	38	490	332				149.91	152.78
400	620	40	550	380				197.75	201.72
500	730	45	660	475	20	M33	36	304.24	310.85